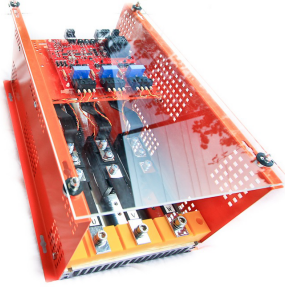


SCR.M.A

Mono Phase SCR (Phase Angle)

Output power is adjusted at each cycle according to the control signal, although the current shown on the indicator is stable, unwanted harmonics occur in the mains supply.
Constant and variable resistive , inductive and IR lamp-loads can be connected.

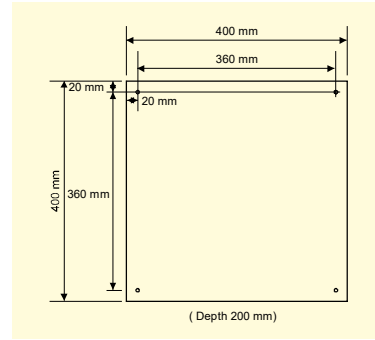
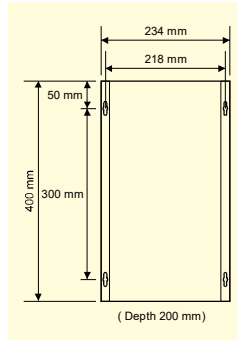
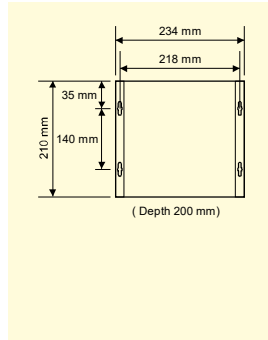


FEATURE

- Phase-shift control
- Input signal selection: 4-20mA, 2-10V, 1-5V
- Overheat and fuse-blown alarm (output switched off immediately)
- Buffering output adjustment (1-20sec)
- In case of sudden power losses, output is switched off, once the power is restarted, output will be buffered to prevent the voltage surge for fuse burn-down
- Unwanted harmonics

TECHNICAL DATA		
Main Supply	230Vac \pm %15, 50Hz	
Output Power	25..100kW	
Control Inputs	Voltage	2-10 Vdc
	Current	4-20 mA
	Logic	1..5 V (maks. 5mA)

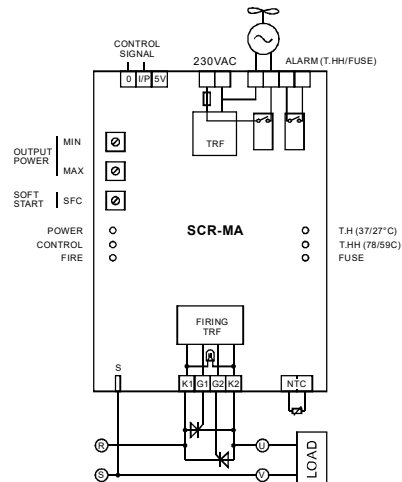
DIMENSIONS



ORDER CODE

SCR	.	M	.	A	.	???
MODEL		TYPE		FIRING MODE		OUTPUT POWER
		E : Mono		B : Phase Angle		25 : 25 kW
						35 : 35 kW
						50 : 50 kW
						70 : 70 kW
						100 : 100 kW

APPLICATION



EXTRA CODES (This section is fulfilled by Karaçim)

2	.	U	.	?	.	?	.	?	.	?
VOLTAGE		CTRL TYPE		FRAME		COOLING		POWER TERM.		THYRISTOR TYPE
2 : 230 Vac		U : Universal		1 : 21x24x20		- : Normal		U : From top		xxx : MCC44
				2 : 40x24x20		F : Fan		D : From below		~ : MCC501
				3 : 40x40x20		W : Water				
				4 : 50x44x22						

